



< 1:1 C-Band
LNA Plate
Assembly
with RCP2-1100

Description

At the heart of all Teledyne Paradise Datacom redundant LNA systems are the field-proven low noise amplifier product lines.

Available in all common C-Band frequencies, and offering state-of-the-art noise temperature performance, these LNAs can be configured for use in 1:1, 1:2 and custom redundant systems.

System monitoring and control is provided through the microprocessor-based RCP2-1100 and RCP2-1200 redundant system controllers.

LNA plate assemblies are designed for convenient integration into any antenna hub or facility with RF and user interfaces readily accessible.

Common feed interfaces are offered as standard and isolation is provided at all RF interfaces. A range of RF hardware options and custom plate configurations are offered to meet specific system requirements.

LNA PLATE

- Compact plate assemblies facilitate convenient antenna hub mounting
- Standard feed orientations
- State-of-the-art noise temperatures provided by Paradise Datacom LNAs
- All LNAs contain integral RF isolators

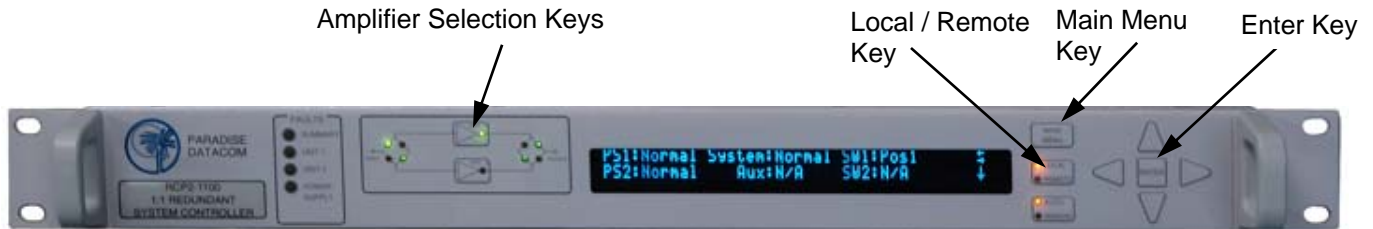
CONTROL PANEL

- User-friendly M&C provided locally as well as through a standard serial I/O. (RS-232, 485 or optional Ethernet interfaces)
- Auto-ranging redundant power supplies: 85-264 VAC @ 47 to 63 Hz
- High system level reliability

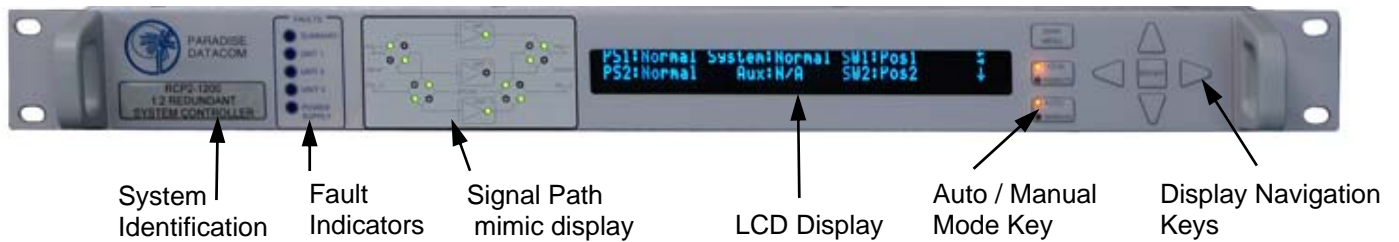
OPTIONS

- LNB Redundant Systems
- Transmit-band Reject Filter
- Off-line RF I/O
- Waveguide Test Inject Input Coupler
- Coaxial Output Coupler
- Custom LNA Plate Configurations
- -48 VDC Operation
- Remote Control Panels

RCP2-1100 Front Panel Overview; used with 1:1 Redundant Systems



RCP2-1200 Front Panel Overview; used with 1:2 Redundant Systems

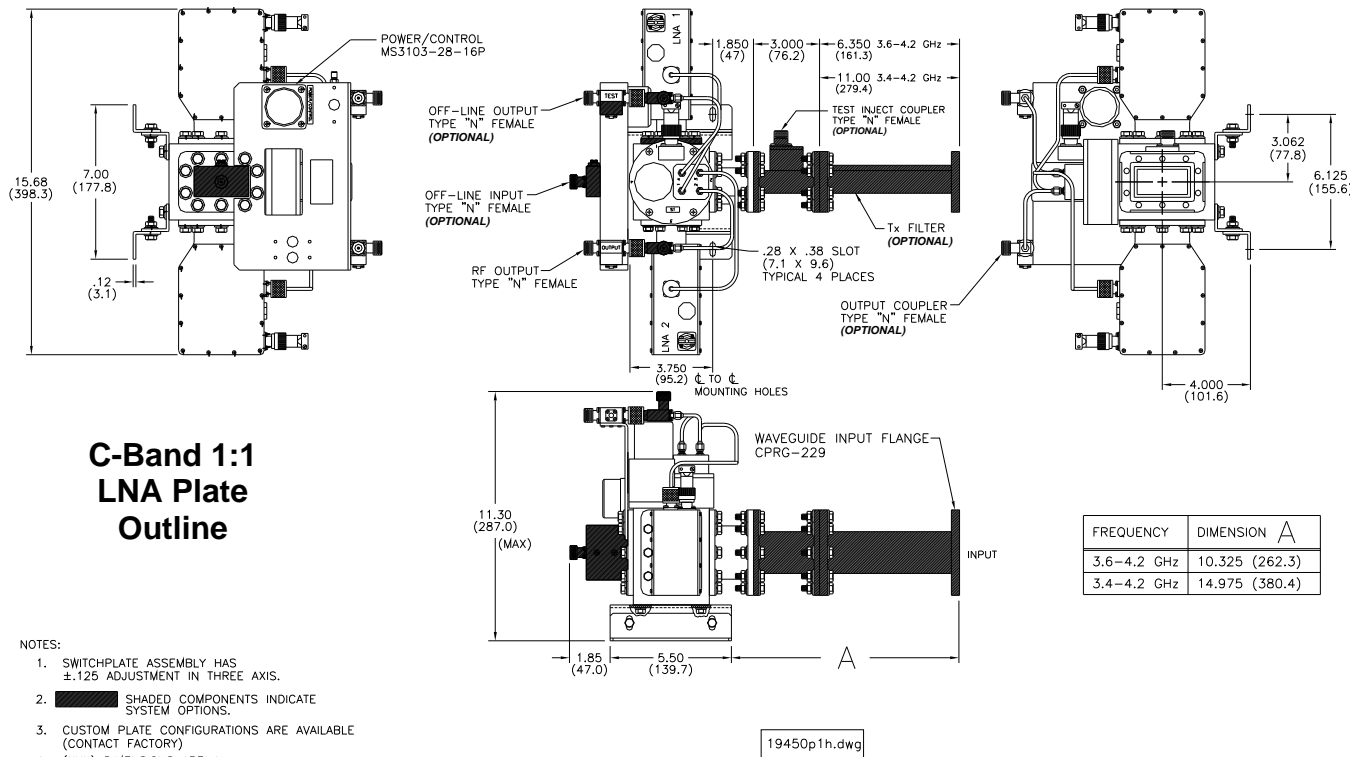


RCP2-1100/1200 Rear Panel with Removable Power Supply Modules

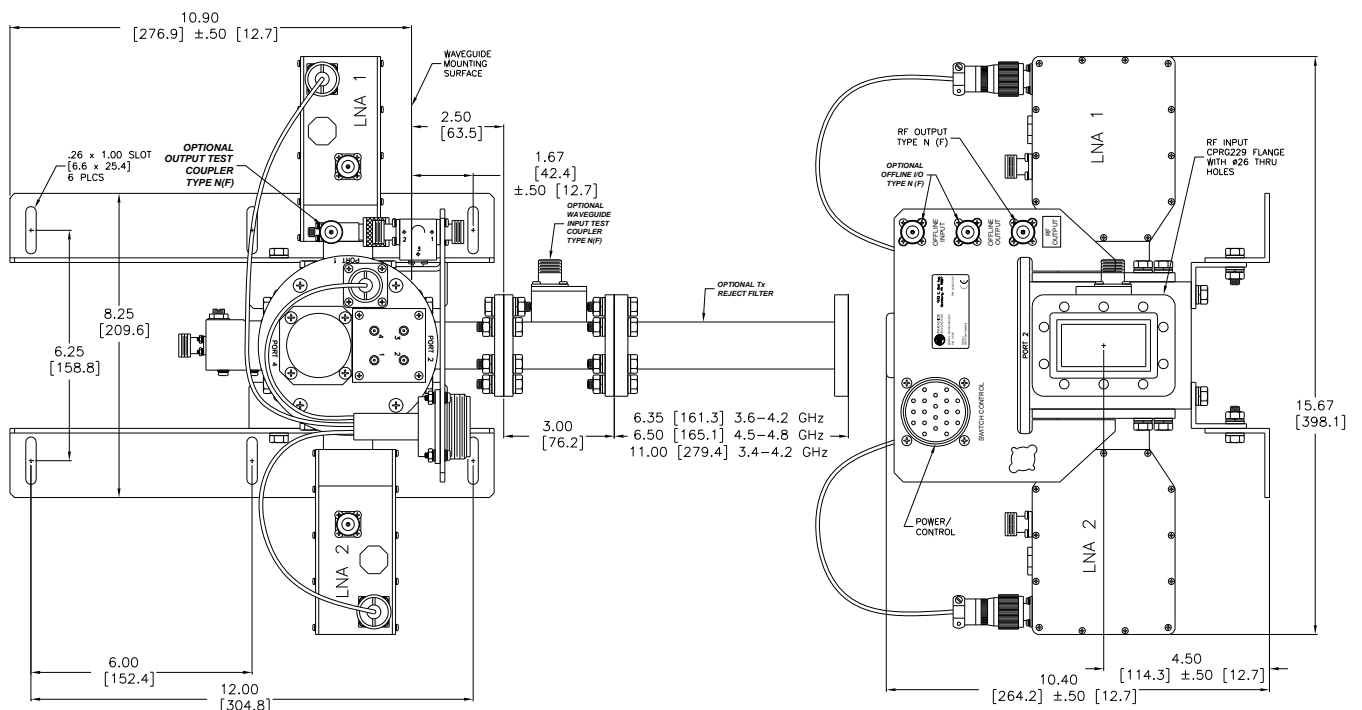


RCP2-1100/1200 General Specifications

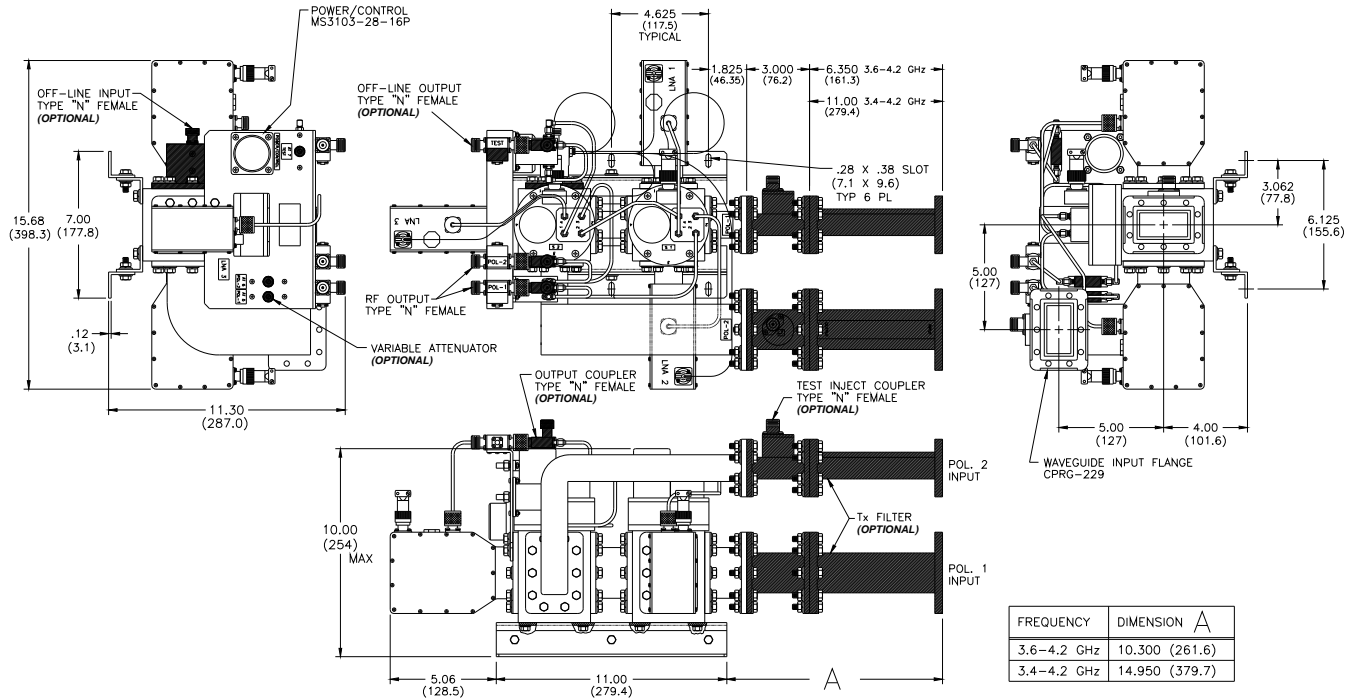
Characteristic	Specification
Configurations	RCP2-1100 ; 1:1 Redundant System RCP2-1200; 1:2 Redundant System
Switch Time	Fault Detection, 20 - 50 msec Total Switchover (including mechanical switch) - 100 msec maximum
Switch Drive	26 VDC @ 5 Amps
Alarm Input	Closure to Ground, (Ground=OK / Open=Fault)
Serial Communication	RS-232 / RS-485 4 wire / Ethernet
Parallel I/O	
Status Outputs	Form C Relay Contacts (10 sets)
Control Inputs	Contact Closure to Ground
AC Input Power	85-265 VAC, 47-63 Hz, 1 A max, > 0.93 power factor
DC Input Power (48 VDC Input Option)	36-72 VDC, Maximum DC Input current @ 48V - 2 Amps



C-Band 1:1 LNA Compatible Plate Outline (XM Option)



C-Band 1:2 LNA Plate Outline

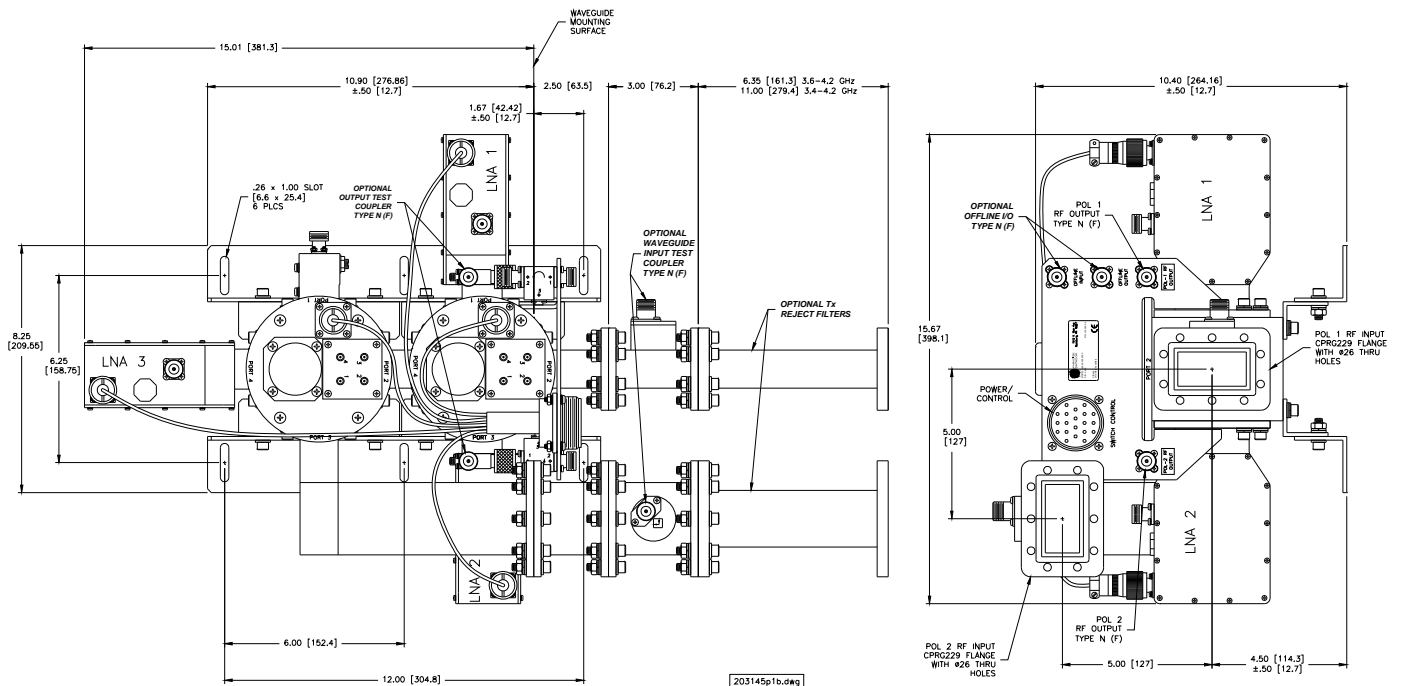


NOTES:

- SWITCHPLATE ASSEMBLY HAS ±.125 ADJUSTMENT IN THREE AXIS.
- SHADED COMPONENTS INDICATE SYSTEM OPTIONS.
- CUSTOM PLATE CONFIGURATIONS ARE AVAILABLE (CONTACT FACTORY)
- (XXX) DIMENSIONS ARE IN mm.

19444p1g.dwg

C-Band 1:2 Compatible LNA Plate Outline (XM Option)



203145p1b.dwg

System level equipment

DESCRIPTION	QUANTITY PER SYSTEM		NOTES
	1:1	1:2	
Antenna hub-mount plate assembly	1	1	1:1 system includes 1 ea. dual waveguide-coaxial protection switch. 1:2 system includes 2 ea. dual waveguide-coaxial protection switch.
RF3 Series C-band LNAs	2	3	Customer specified noise temperature and gain
Redundant control panel RCP-1100 (1:1) RCP-1200 (1:2)	1 -	- 1	
Interface control cable	1	1	100 ft. (30 m) standard Customer specified up to 1000 ft. (300 m)
Standard test data	1 lot	1 lot	Customer specified special testing available

System level performance

PARAMETER	SYSTEM PERFORMANCE			WITH OPTION(S)
	1:1	1:2		
		Pol. 1	Pol. 2	
System Noise Temperature Contribution (above LNA noise temperature)	2 K	2 K	4 K	None
	10 K	10 K	12 K	Tx Filter (3.6 - 4.2 GHz)
	10 K	10 K	12 K	Tx Filter (3.4 - 4.2 GHz)
	3 K	3 K	5 K	Input Test Coupler
	11 K	11 K	13 K	Tx Filter (3.6-4.2 GHz) & Input Test Coupler
	11 K	11 K	13 K	Tx Filter (3.4-4.2 GHz) & Input Test Coupler
System Noise Temp. vs. Ambient Temp. (approximate)	0.37 K/°C	0.37 K/°C	0.37 K/°C	Option-independent
System Gain vs. Ambient Temp. (approximate)	-.05 dB/°C	-.05 dB/°C	-.05 dB/°C	Option-independent
System VSWR				
Input				
on-line RF thru-paths	1.3:1	1.3:1	1.3:1	
off-line & coax. coupled input ports	1.5:1	1.5:1	1.5:1	
Output				
all RF output ports	1.25:1	1.25:1	1.25:1	

* System level performance based on use of Paradise Datacom RF3 Series C-Band low noise amplifiers (LNAs). Specifications are subject to change.

System Configuration Matrix

L N 1 C 1 2 A 2 D 0 1 0 A X X

Output Frequency
 C - C-Band

System Configuration
 1 - 1:1 Redundant
 2 - 1:2 Redundant

Number of LNAs in System
 0, 1, 2, or 3

LNA Frequency Band	
A	3.7 to 4.2 GHz
B	3.4 to 4.2 GHz
C	3.6 to 4.2 GHz
D	3.625 to 4.2 GHz
E	4.5 to 4.8 GHz
F	3.35 to 4.2 GHz
Z	N/A (0 LNAs in System)

LNA Gain
 1 - 50
 2 - 60
 3 - 65
 4 - 70
 5 - Custom
 9 - N/A

Special Options
 XX - None
 CX - 30 dB Output Coupler
 XM - Compatible Plate Assembly

Cables
 X - No Cables
 A - 100 ft. Control Cable
 D - 150 ft. Control Cable
 Z - Custom Control Cable Length

Offline & Test Ports
 0 - None
 1 - Offline
 2 - 30 dB Test Input
 3 - Offline & 30 dB Test Input
 4 - 40 dB Test Input
 5 - Offline & 40 dB Test Input
 6 - Custom Test Input
 7 - Offline & Custom Test Input

Controller
 0 - None
 1 - RCP2-1100
 2 - RCP2-1200
 4 - RCP2-1100, 48VDC
 5 - RCP2-1200, 48VDC

Tx Reject Filter
 0 - No
 1 - Yes

LNA Noise Temperature Selection	
Frequency Band(s)	Noise Temperature (K)
B	A = 34; B = 35; C = 40
A, C, D, F	D = 30; E = 35; F = 40
E	G = 40; H = 45
Z	Z = N/A (0 LNAs in System)

The example in the part number configuration matrix above shows a 1:1 Redundant C-Band LNA system operating at 3.7 to 4.2 GHz with a noise temperature of 30 K and 60 dB of gain. Thus, it is part number **LN1C12A2D010AXX**.

Use and Disclosure of Data

The information contained herein is classified as EAR99 under the U.S. Export Administration Regulations. Export, re-export or diversion contrary to U.S. law is prohibited.

Specifications in this document are subject to change without notice.