



**1.1 kW C-Band,
 1:1 Indoor Rack Mount**



**600W C-Band,
 1:2 Indoor Rack Mount
 Phase Combined System**

DESCRIPTION

Teledyne Paradise Datacom's family of indoor packaged, phase combined solid state power amplifier (SSPA) systems provide the highest degree of redundancy and system reliability. Phase Combined systems can be configured using any combination of Teledyne Paradise Datacom's Indoor Packaged amplifiers.

1:1 Phase Combined Systems are an economical solution to providing high output power capability with the addition of soft-fail redundancy.

1:2 Phase Combined Systems can provide full output power redundancy to mission critical applications which cannot tolerate any decrease in output power capability.

FEATURES

- Extremely High Power Density:
 - To 1.1 kW C-Band
 - To 1.0 kW X-Band
 - To 500 W Ku-Band
- True Redundant Chassis Architecture
- Universal Power Factor Corrected Power Supply
- System Output Power Monitor
- 1RU FPRC-1100 / FPRC-1200 System Controller

OPTIONS

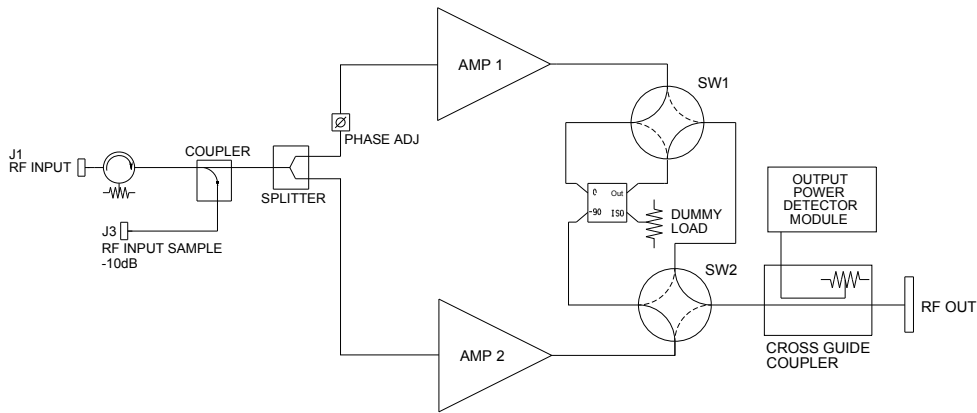
- Reflected Power Monitor
- L-Band Input operation
- SSPA and Controller Remote Panels
- Auxiliary / Maintenance Output Switch
- Cold Standby Amplifier Operation for Prime Power Savings
- External Exhaust Air Ducting Kit
- Custom Configurations

SPECIFICATIONS

- 3 RU SSPA Chassis:
 - 19.0 X 5.22 X 24.13
 - 66 lbs (30 kg)
- 4 RU SSPA Chassis:
 - 19.0 X 7.0 X 28.0
 - 75 lbs (34 kg) ≤ 250W
 - 100 lbs (45 kg) >250W
- 6 RU SSPA Chassis:
 - 19.0 X 10.47 X 30.0
 - 180 lbs (82 kg)
- 7 RU SSPA Chassis:
 - 19.0 X 12.22 X 30.0
 - 180 lbs (82 kg)

1:1 Phase Combined / Redundant System

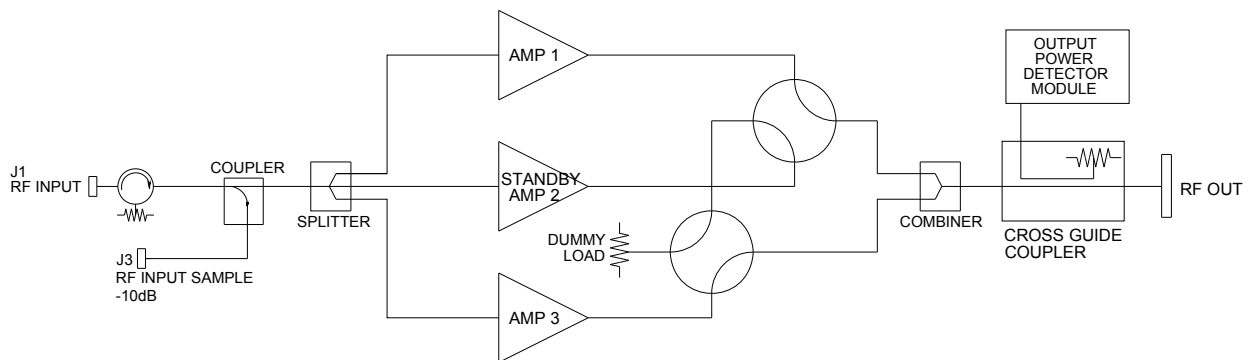
The 1:1 Fixed Phase Combined Redundant System is a popular system architecture that enables two Solid State Power Amplifiers to operate as a normal 1:1 redundant system or a phase combined system. The basic system topology is very similar to a 1:1 redundant system and is shown in the block diagram. An additional switch is included which allows either amplifier to be individually connected to the antenna or connect both amplifiers to a waveguide combiner. The system includes an integrated input sample port along with system level output power detection.



1:1 Phase Combined System Simplified Block Diagram

1:2 Phase Combined / Redundant System

The 1:2 Phase Combined Redundant System is a system architecture that enables Solid State Power Amplifiers to achieve higher output power levels while building in a level of redundancy. The basic system topology is similar to a 1:2 redundant system shown in the block diagram below. Amplifiers #1 and #3 are normally online. The outputs of #1 and #3 are directed by the waveguide switches into a low loss power combiner. In the event of a failure of either on line amplifier, the standby amplifier, #2, can be switched in place of either #1 or #3 and the system maintains **full output power**. The system includes an integrated input sample port along with system level output power detection.



1:2 Phase Combined System Simplified Block Diagram



**Single 3RU Chassis
 Output Power Levels**

C Band: 25W - 300W
 X Band: 60W - 200W
 Ku Band: 10W - 150W



**Single 4RU Chassis
 Output Power Levels**

C Band: 50W - 600W
 X Band: 50W - 500W
 Ku Band: 35W - 250W



**Single 6RU Chassis
 Output Power Levels**

C Band: 800W - 1.1 kW
 X Band: 700W - 1.0 kW
 Ku Band: 400W - 500W



**Single 7RU Chassis
 Output Power Levels**

C Band: 800W - 1.1 kW
 X Band: 700W - 1.0 kW
 Ku Band: 250W - 500W

System Output Power Capacity

Due to the output waveguide and switches, there is always some residual loss in the output of phase combined HPA systems. This results in slightly less than the ideal 3 dB power addition to the output power of a single HPA unit.

On 1:1 phase combined systems, the typical additive output power is 2.70 dB above the output power of a single HPA. On 1:2 phase combined systems, the typical additive output power is 2.50 dB above the output power of a single HPA.

For example, a 125W Ku-Band Compact Outdoor SSPA in a 1:1 phase combined system would have the following output power:

Single HPA: $P_{1dB} = 50.0$ dBm; $P_{sat} = 51.0$ dBm

1:1 phase combined system: $P_{1dB} = 52.7$ dBm; $P_{sat} = 53.7$ dBm



◀ **400W C-Band (4RU)
1:1 Phase Combined System**



◀ **300W C-Band (3RU)
1:1 Phase Combined System**



**2kW C-Band (6RU) ▶
Phase Combined SSPA System**

General System Specifications

PARAMETER	NOTES	LIMITS	UNITS
Gain	minimum minimum (units with L-Band input)	70 67	dB dB
Gain Flatness	full band (All except Extended C-Band) Extended C-Band units	± 1.0 ± 1.5	dB dB
Gain Slope	per 40 MHz	± 0.3	dB/40 MHz
Gain Variation vs. Temperature	0°C to +50°C	± 1.0	dB
Gain Stability	at constant temperature	± 0.25	dB/24 hours
Gain Adjustment	0.1 dB resolution	20	dB
Intermodulation Distortion	3dB back off relative to P _{1dB}	-25	dBc
AM/PM Conversion	(@ rated P _{1dB}) (@ P _{1dB} - 3dB)	3.5 0.5	°/dB °/dB
Spurious Harmonics	(@ rated P _{1dB}) (@ rated P _{1dB} - 3dB)	-65 -50	dBc dBc
Input/Output VSWR		1.50:1	
Noise Figure	at maximum gain	12	dB
Group Delay (per 40 MHz segment)	Linear Parabolic Ripple	0.01 0.003 1.0	ns/MHz ns/MHz ² ns p-p
Noise Output	TX Band RX Band (C-, Ku-Bands) RX Band (X-Band)	-75 - 150 - 100	dBW/4 KHz dBW/4 KHz dBW/4 KHz
Residual AM Noise	0 - 10 KHz 10 KHz - 500 KHz 500 KHz - 1 MHz	-45 -20 (1.25 + log F) -80	dBc dBc dBc
Phase Noise		IESS -308/309 - 10 dB	

Mechanical

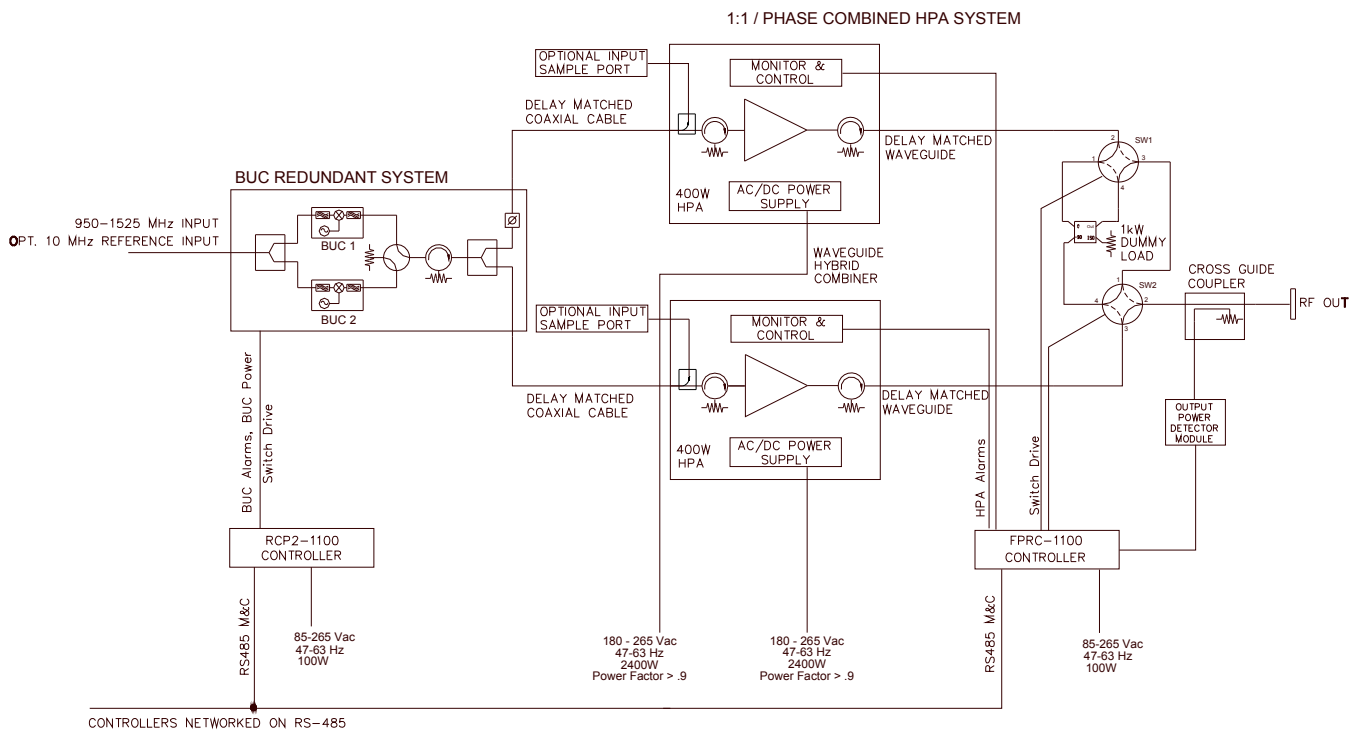
Size		width x height x depth	
3RU HPA Chassis		19.0 x 5.22 x 24.13 (483 x 133 x 613)	inches (mm)
4RU HPA Chassis		19.0 x 7.0 x 28.0 (483 x 178 x 711)	inches (mm)
6RU HPA Chassis		19.0 x 10.47 x 30.0 (483 x 266 x 762)	inches (mm)
7RU HPA Chassis		19.0 x 12.22 x 30.0 (483 x 310 x 762)	inches (mm)
1RU Power Supply Chassis		19.0 x 1.75 x 16.1 (483 x 44 x 409)	inches (mm)
Weight			
3RU HPA Chassis		66 (30)	lbs. (kg)
4RU HPA Chassis		75 (34)	lbs. (kg)
4RU HPA Chassis	≤ 250W Chassis	100 (45)	lbs. (kg)
6RU HPA Chassis	> 250W Chassis	180 (82)	lbs. (kg)
7RU HPA Chassis		180 (82)	lbs. (kg)
1RU Power Supply Chassis		29 (13)	lbs. (kg)
Finish		powder coat	Gray

Environmental

Operating Temperature	Ambient	0 to +50	°C
Relative Humidity	Condensing	95	%
Cooling System	Integrated	Forced air	

L-Band Operation

Teledyne Paradise Datacom Phase Combined HPA Systems can be configured for L-Band Input operation. For optimum RF phase combining over the entire bandwidth of a communication amplifier, the frequency translation part of the system must be separated from the phase combining loop. Therefore, systems with L-Band input are configured with a separate 1:1 system of L-Band Block Up Converters that feed the 1:1 or 1:2 Phase Combined HPA system. If L-Band redundancy is not required, the system can be configured with a single thread L-Band Block Up Converter.



The Block Up Converter system is housed in a 1RU rack-mountable enclosure and controlled by a RCP2-1100 Redundant Controller. The Up Converters can be configured with internal reference oscillators or external reference oscillators. The Teledyne Paradise Datacom zBUC[®] architecture allows a converter that is fitted with an internal reference oscillator to automatically detect and switch to an externally applied 10 MHz reference signal.

Optional input sample ports on each SSPA chassis are available on L-Band Input Phase Combined Systems to allow the user to monitor the output of the block up converter.

L-Band Operation

Teledyne Paradise Datacom amplifiers are available with an integrated L-Band Block Up Converter. L-Band units utilize Teledyne Paradise Datacom's proprietary zBUC technology. The addition of a zBUC® converter to the SSPA typically increases the gain by 2-4 dB. The advantages of zBUC technology include:

- zBUC converter can detect and switch to an externally supplied reference.
- Optional internal high stability (10MHz) reference.
- zBUC converter can lock to an externally supplied reference of 10 or 50 MHz.
- zBUC converter can accept a wide range of external reference power (-10 to +5 dBm).

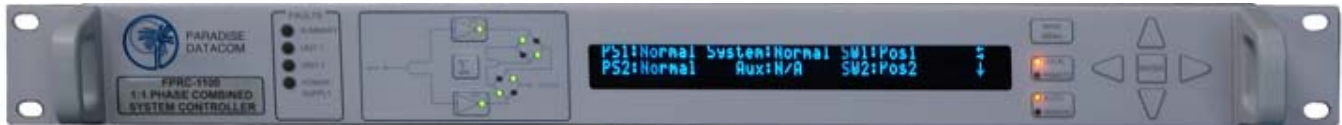
Available Frequency Plans

Band	Model Number	IF Input	LO Frequency	RF Output
C	Sub-Band "A"	950 - 1525 MHz	4.900 GHz	5.850 - 6.425 GHz
C	Sub-Band "B"	950 - 1825 MHz	4.900 GHz	5.850 - 6.725 GHz
C	Sub-Band "C"	950 - 1870 MHz	4.800 GHz	5.750 - 6.670 GHz
C	Sub-Band "E"	950 - 1250 MHz	5.475 GHz	6.425 - 6.725 GHz
C	Sub-Band "F"	950 - 1250 MHz	5.775 GHz	6.725 - 7.025 GHz
C	Sub-Band "C"	950 - 1675 MHz	4.800 GHz	5.750 - 6.475 GHz
X	Sub-Band "A"	950 - 1450 MHz	6.950 GHz	7.900 - 8.400 GHz
Ku	Sub-Band "A"	950 - 1450 MHz	13.050 GHz	14.00 - 14.50 GHz
Ku	Sub-Band "B"	950 - 1700 MHz	12.800 GHz	13.75 - 14.50 GHz

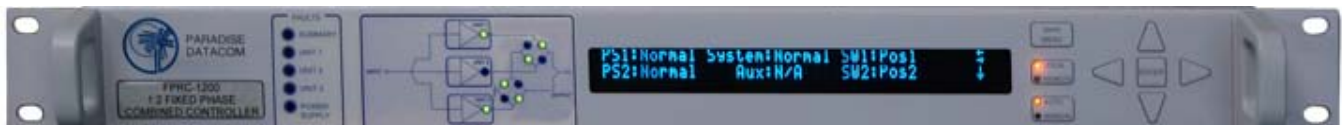
Electrical Specifications for RM SSPA Systems with ZBUC converter

PARAMETER	NOTES	LIMITS				UNITS
Gain	Nominal setting	75				dB
Gain Flatness	full band (C-,X-,Ku-bands)	± 2.0				dB
Gain Slope	per 40 MHz (C-,X-,Ku-bands)	± 0.5				dB/40 MHz
Gain Adjusted Range		20				dB
	Typical C-Band Adj. Range	60 - 80				dB
	Typical Ku-Band Adj. Range	57 - 77				dB
Gain Stability	-40 to +60 °C	± 1.5				dB
Phase Noise	Offset frequency from carrier	<u>Absolute max.</u>	<u>C-band (typ.)</u>	<u>X-band (typ.)</u>	<u>Ku-band (typ.)</u>	
	10 Hz	-30	-60	-58	-56	dBc/Hz
	100 Hz	-60	-74	-70	-67	dBc/Hz
	1 KHz	-70	-84	-80	-78	dBc/Hz
	10 KHz	-80	-100	-94	-91	dBc/Hz
	100 KHz	-90	-105	-97	-94	dBc/Hz
	1 MHz	-90	-125	-122	-120	dBc/Hz
Spurious	In-Band Signal Related (C-/Ku-Band) (Extended C-Band)	-50				dBc
	Close to Carrier Spurious (≤ 20 MHz)	-40				dBc
	Local Oscillator	-50				dBc
		-30				dBm
Noise Figure	At Maximum gain	20				dB
Transmit Band Noise Output Power Density	Tx Band at Maximum gain	-65				dBW/4kHz
Input VSWR	L-Band	1.5 : 1				
Internal Reference Option	Reference Accuracy (initial)	± 1 • 10 ⁻⁸				
	Aging per day (after 30 days)	± 1 • 10 ⁻⁹				
	Aging per year (after 30 days)	± 6 • 10 ⁻⁸				
	Reference Stability over Temperature (-40 to +40 °C, ambient)	± 1 • 10 ⁻⁸				

System Controllers



FPRC-1100 1:1 Phase Combined System Controller



FPRC-1200 1:2 Phase Combined System Controller

The FPRC-1X00 is the heart of the Phase Combined SSPA System. It provides an extremely user friendly interface for complete monitor and control of the high power amplifiers. The front panel mimic display shows the on-line amplifiers and the switch positions. Fault lights are provided for easy indication of system status.

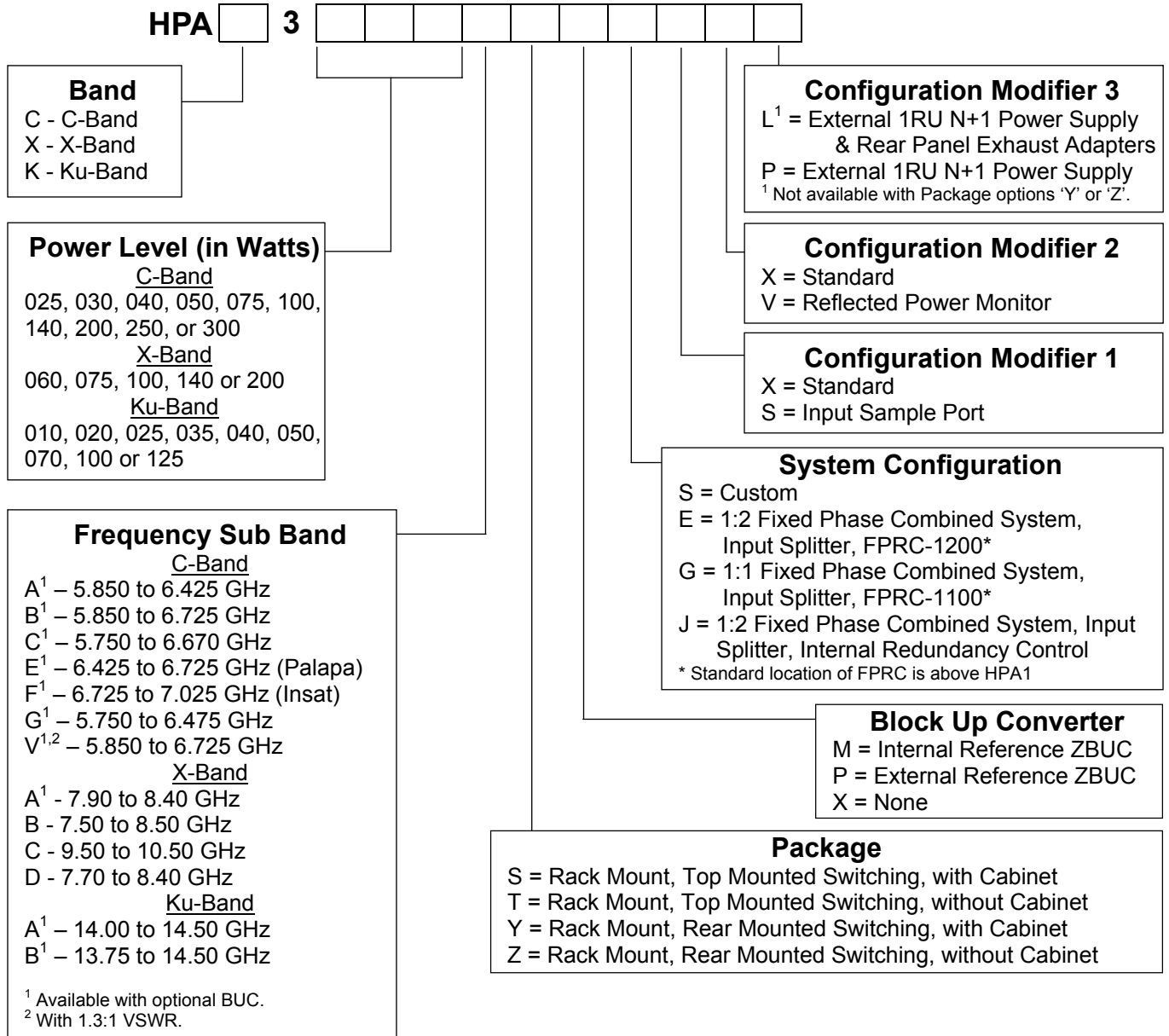
All FPRC-1X00 monitor and control is available locally at the front panel LCD display, as well as remotely by the RS232 , RS485, or Ethernet interface ports. Audible alarms and a full compliment of parallel I/O signal are available at the rear panel of the FPRC-1X00.

The FPRC-1X00 System Controller allows the Phase Combined System of amplifiers to be controlled as if it were a single SSPA. The FPRC is the single point of interface for either local, front panel, or remote control. System monitor and control capability include gain adjustment, output power monitoring (dBm or Watts), and alarms.

The FPRC-1X00 is a 1RU indoor control unit that contains its own internal redundant components including fully redundant power supplies.

Note: Systems can be configured without the use of a system controller. Consult the factory for operation of phase combined systems without a system controller.

Part Number Configuration, 3 RU GaAs Chassis



Part Number Configuration, 4 RU GaAs Chassis

HPA 2

Band
 C - C-Band
 K - Ku-Band
 X - X-Band

Power Level (in Watts)
C-Band
 050, 075, 100, 140, 200, 250, 300, 400, 500, 600
X-Band
 060, 075, 100, 140, 200, 250, 350, 500
Ku-Band
 025, 035, 040, 050, 070, 100, 125, 200, 250

Frequency Sub Band
C-Band
 A¹ - 5.850 to 6.425 GHz
 B¹ - 5.850 to 6.725 GHz
 C¹ - 5.750 to 6.670 GHz
 E¹ - 6.425 to 6.725 GHz (Palapa)
 F¹ - 6.725 to 7.025 GHz (Insat)
 G¹ - 5.750 to 6.475 GHz
 V^{1,2} - 5.850 to 6.725 GHz
X-Band
 A¹ - 7.90 to 8.40 GHz
 B - 7.50 to 8.50 GHz
 C - 9.50 to 10.50 GHz
 D - 7.70 to 8.40 GHz
Ku-Band
 A¹ - 14.00 to 14.50 GHz
 B¹ - 13.75 to 14.50 GHz
¹ Available with optional BUC.
² With 1.3:1 VSWR.

Configuration Modifier 3
 L¹ = External 1RU N+1 Power Supply & Rear Panel Exhaust Adapters
 P = External 1RU N+1 Power Supply
¹ Not available with Package options Y or Z.

Configuration Modifier 2
 X = Standard
 V = Reflected Power Monitor

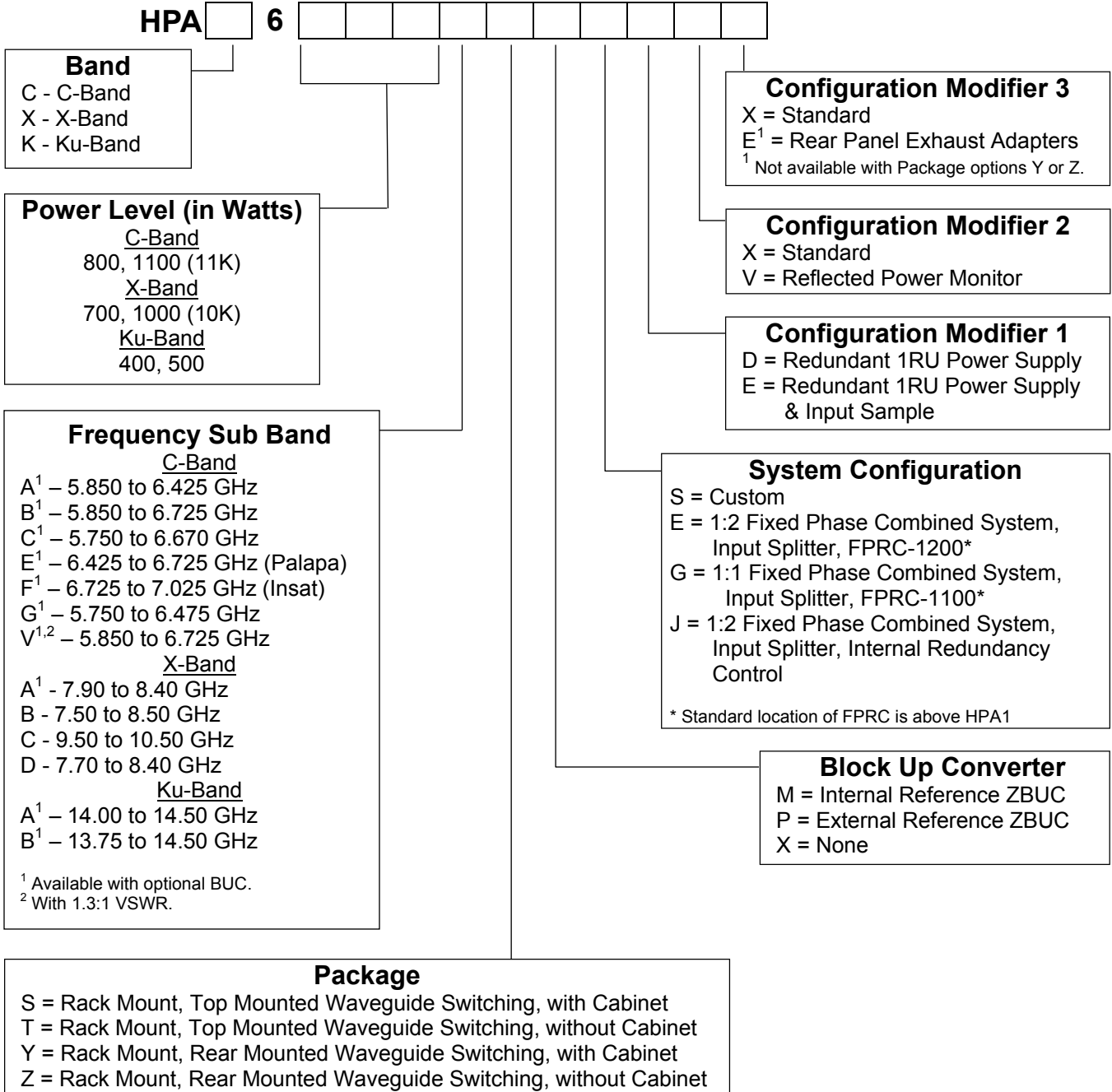
Configuration Modifier 1
 X = Standard
 S = Input Sample Port

System Configuration
 S = Custom
 E = 1:2 Fixed Phase Combined System, Input Splitter, FPRC-1200*
 G = 1:1 Fixed Phase Combined System, Input Splitter, FPRC-1100*
 J = 1:2 Fixed Phase Combined System, Input Splitter, Internal Redundancy Control
 * Standard location of FPRC is above HPA1

Block Up Converter
 M = Internal Reference
 P = External Reference
 X = None

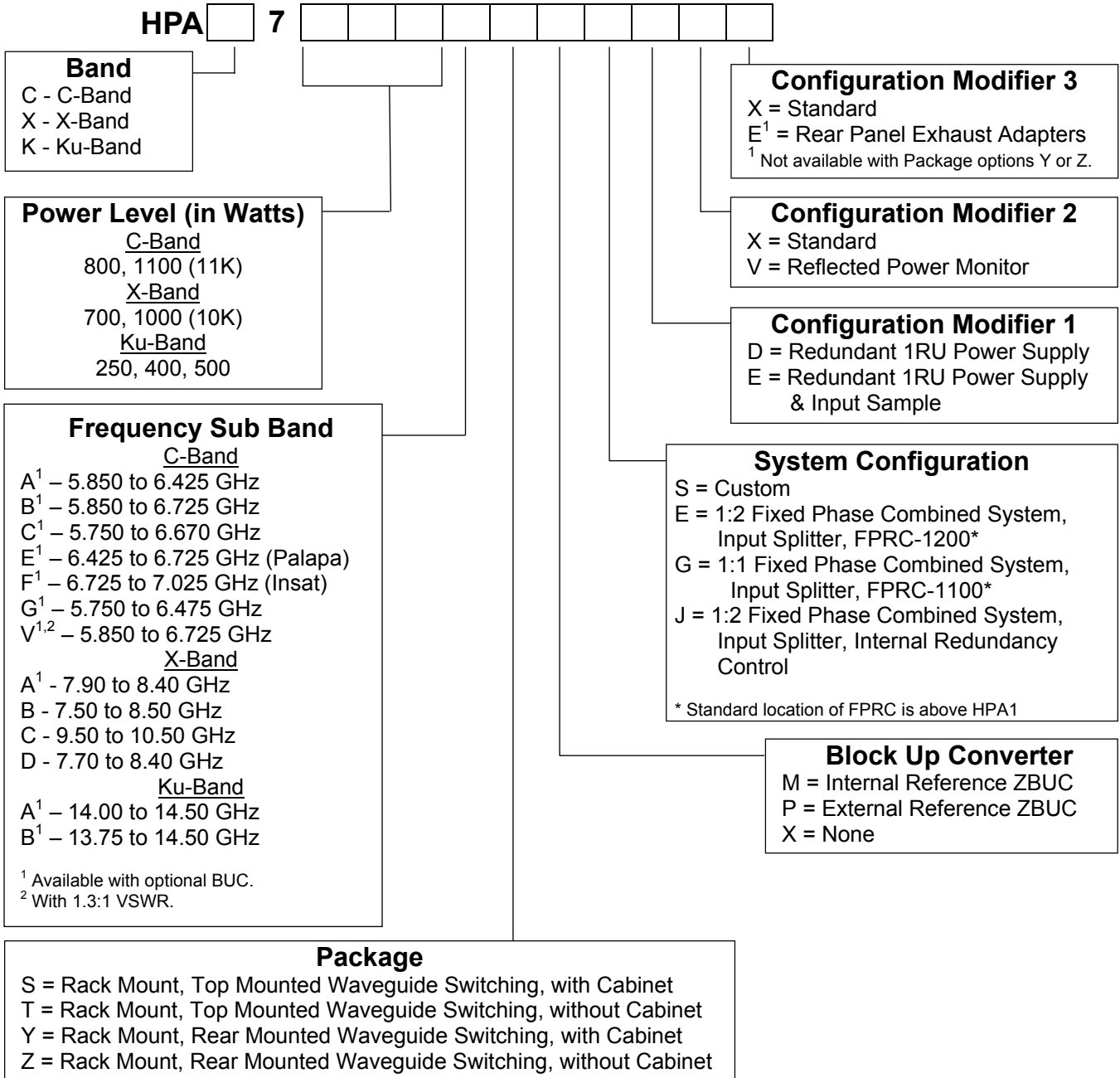
Package
 S = Rack Mount, Top Mounted Switching, with Cabinet
 T = Rack Mount, Top Mounted Switching, without Cabinet
 Y = Rack Mount, Rear Mounted Switching, with Cabinet
 Z = Rack Mount, Rear Mounted Switching, without Cabinet

Part Number Configuration, 6 RU GaAs Chassis



Example: An in-cabinet 1.1 kW C-Band 1:2 Fixed Phase Combined Chassis System with input splitter, FPRC-1200 controller, 1RU power supplies, and rear mounted waveguide switch is part number: **HPAC611KAYXEDXX**.

Part Number Configuration, 7 RU GaAs Chassis



Use and Disclosure of Data — The items described herein are controlled by the U.S. Government and authorized for export only to the country of ultimate destination for use by the ultimate consignee or end-user(s) herein identified. They may not be resold, transferred, or otherwise disposed of, to any other country or to any person other than the authorized ultimate consignee or end-user(s), either in their original form or after being incorporated into other items, without first obtaining approval from the U.S. government or as otherwise authorized by U.S. law and regulations.

Proprietary and Confidential — The information contained in this document is the sole property of Teledyne Paradise Datacom. Any reproduction in part or as a whole without the written permission of Teledyne Paradise Datacom is prohibited.

Specifications are subject to change without notice.